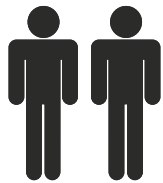
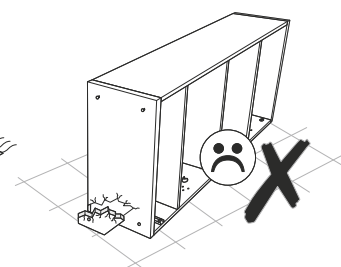
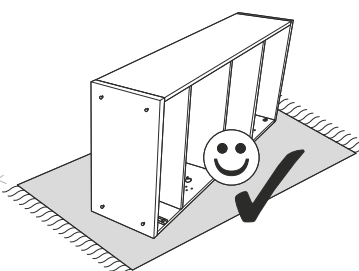
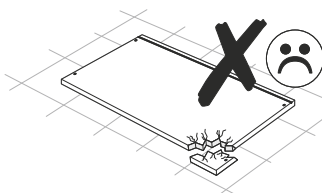
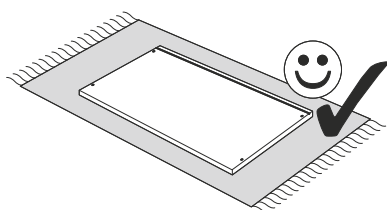
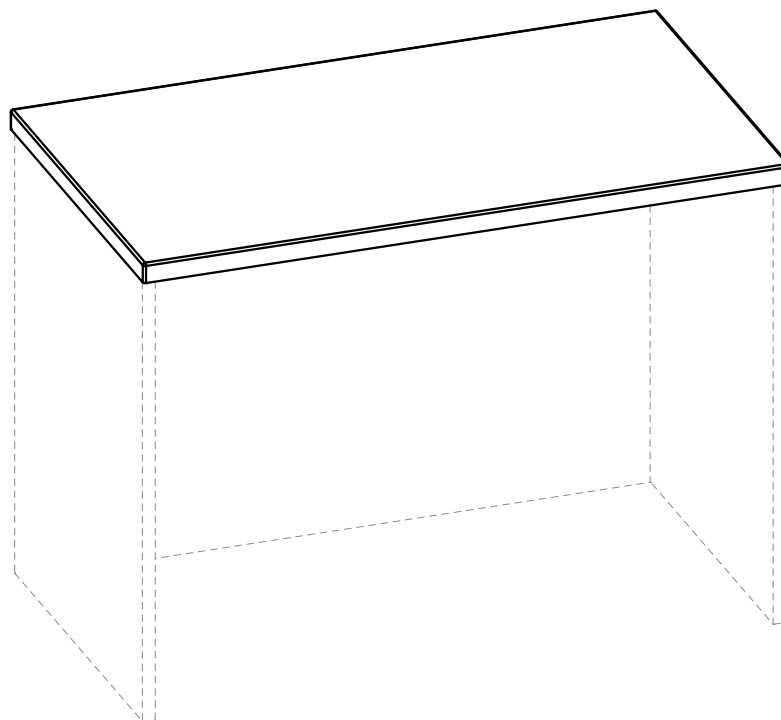
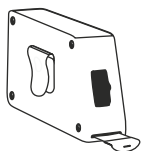
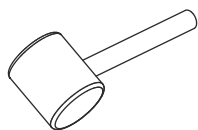
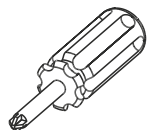
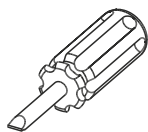
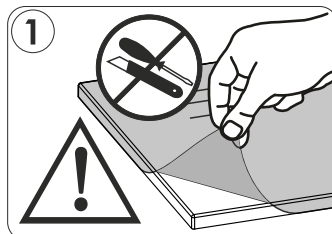


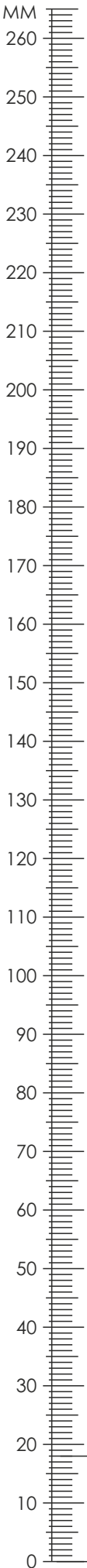
# TYP 890 891 892 893



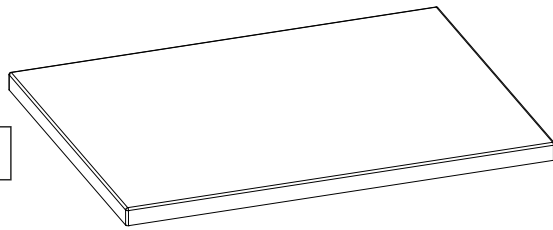
10 min



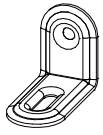
# TYP 890 891 892 893



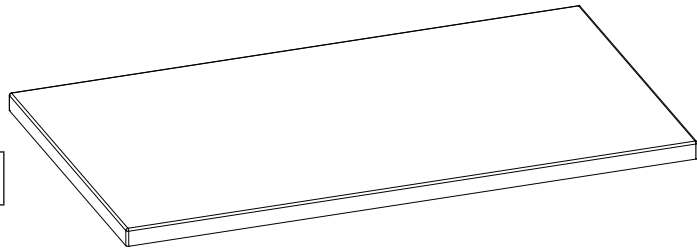
604 | 456 | 25 | x1 | 1/1




## TYP 890

<b>J4</b>	3,5 x 16 mm	x12	<b>Q8</b>		x6
-----------	-------------	-----	-----------	---	----

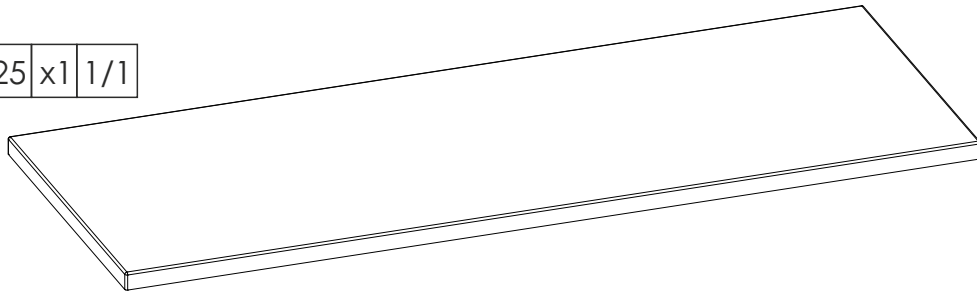
804 | 456 | 25 | x1 | 1/1



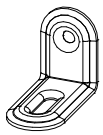
## TYP 891

<b>J4</b>	3,5 x 16 mm	x12	<b>Q8</b>		x6
-----------	-------------	-----	-----------	--	----

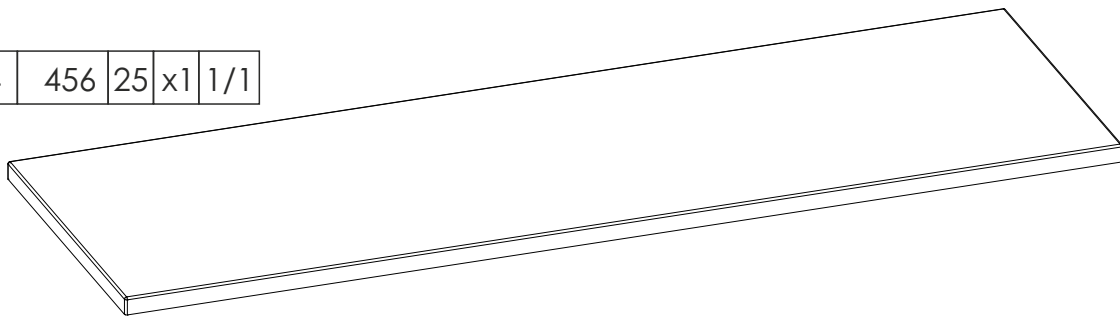
1204 | 456 | 25 | x1 | 1/1



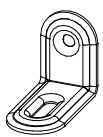
## TYP 892

<b>J4</b>	3,5 x 16 mm	x12	<b>Q8</b>		x6
-----------	-------------	-----	-----------	---	----

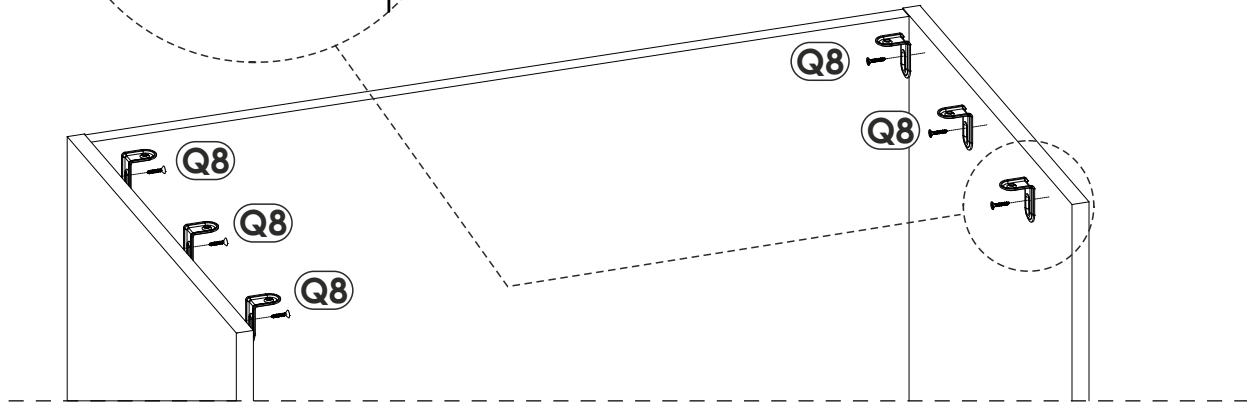
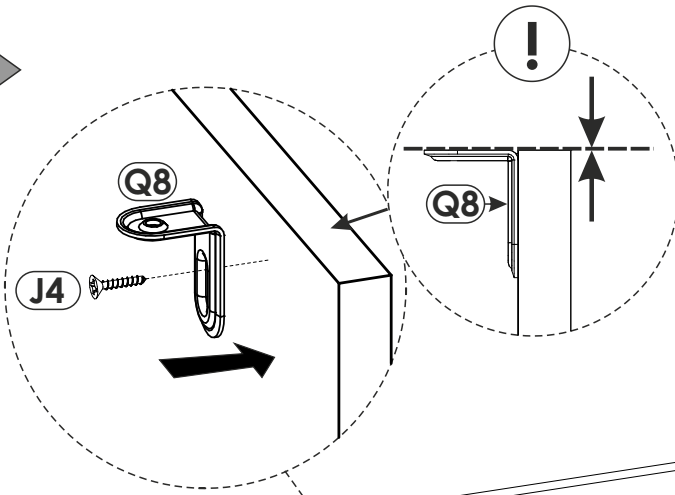
1404 | 456 | 25 | x1 | 1/1



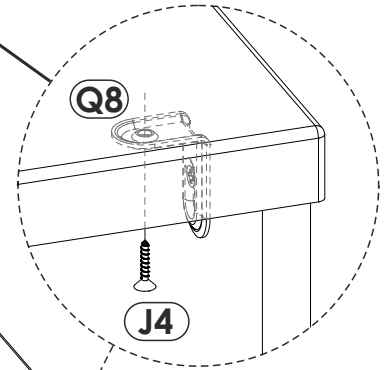
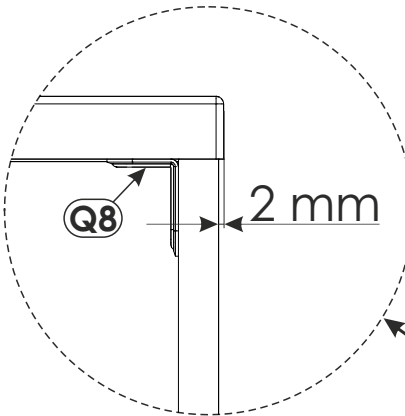
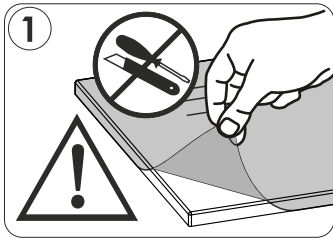
## TYP 893

<b>J4</b>	3,5 x 16 mm	x18	<b>Q8</b>		x9
-----------	-------------	-----	-----------	---	----

1 ▶



2 ▶



TYP 890/891/892/893

